

JOLLY BACK CHAIR™

The Jolly Back chair is an innovative low seating solution for adults working at low heights. It improves posture, comfort and helps prevent and reduce the risk of back strain and other musculo-skeletal injuries.

Benefits of using the Jolly Back Chair:

- Comfortable, practical low chair developed by a Chartered Physiotherapist.
- Ergonomically designed, for adults who work in “child-sized” environments.
- Reduces back, neck, hip and knee discomfort associated with working at low heights.
- Provides support and encourages good posture to help prevent injury.
- Improves staff well-being, morale and efficiency.
- Helps reduce staff absence and ill-health retirement.
- Enables an organisation to demonstrate its health and safety commitment towards staff.
- Enhances learning environments by enabling improved interaction with pupils.



Features:

- Height-adjustable lower back support, helps keep the natural curve of the lower back promoting good posture – reduces backache, slipped discs and sciatica, also assists correct neck alignment.
- Seat wedge, provides cushioning and promotes a natural upright seating position with knees slightly lower than hips - reduces hip compression/pain and encourages natural lower spine alignment.
- Extended handle enables positioning of the chair without lifting or bending over.
- Quality lockable wheels to allow movement when seated and positioning without lifting.
- Compact for use where space is limited.
- 3 heights to accommodate a range of users.
- Unobstructed floor space under seat to allow easy movement when seated.
- Upholstered fabric is stain-resistant, waterproof, anti-bacterial & breathable.
- Vinyl options available.



HOSPITAL AIDS
Evacuation Equipment Specialists

1 Kingsthorpe Business Centre, Tel: +44(0)1604 586501
63 Studland Road, Kingsthorpe, Fax: +44(0)1604 586576
Northampton, NN2 6NE. England sales@hospitalaids.co.uk
Registered in England No 1777125 www.hospitalaids.co.uk



MADE IN THE UK
DISTRIBUTED WORLDWIDE

Specifications:

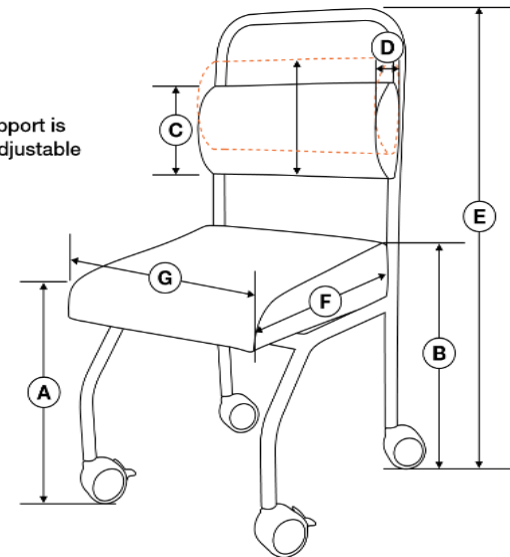
Weight limit: 102kg (16 stone)

Available in Standard Waterproof or Vinyl fabric.

Sizes: All measurements are in mm

Size	Small	Medium	Large
A	350	365	400
B	390	405	440
C	150	150	150
D	55	55	55
E	690	690	690
F	380	380	380
G	350	350	350

Lower back support is 70mm height adjustable



Adult User Height	Age Range (user mostly working with)			
	2- 4 yrs	4- 6 yrs	6- 8 yrs	8 years - adult
5'3" and shorter	Small	Small	Small	Small
5'4"	Small	Small	Small	Medium
5'5"	Small	Small	Medium	Medium
5'6"	Small	Medium	Medium	Medium
5'7"	Medium	Medium	Medium	Medium
5'8"	Medium	Medium	Large	Large
5'9"	Medium	Large	Large	Large
5'10" and taller	Large	Large	Large	Large

Fabric Colours available:

Standard Waterproof



Vinyl



Colours shown are an indication only - Actual colours may differ slightly. Please state colour and fabric preferences when ordering.

Product codes: Small: JOL001

Medium: JOL002

Large: JOL003



www.hospitalaids.co.uk

Email: sales@hospitalaids.co.uk

Telephone: +44 (0)1604 586501

